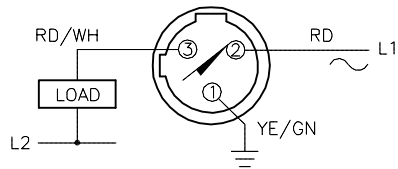


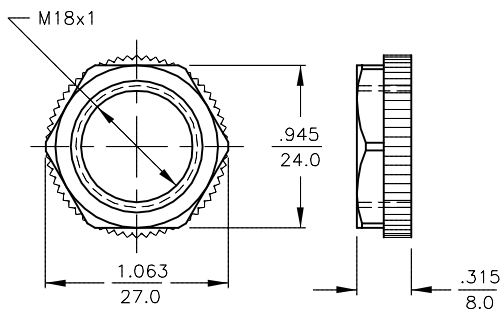
WIRING DIAGRAM



OUTPUT: ADZ30X2

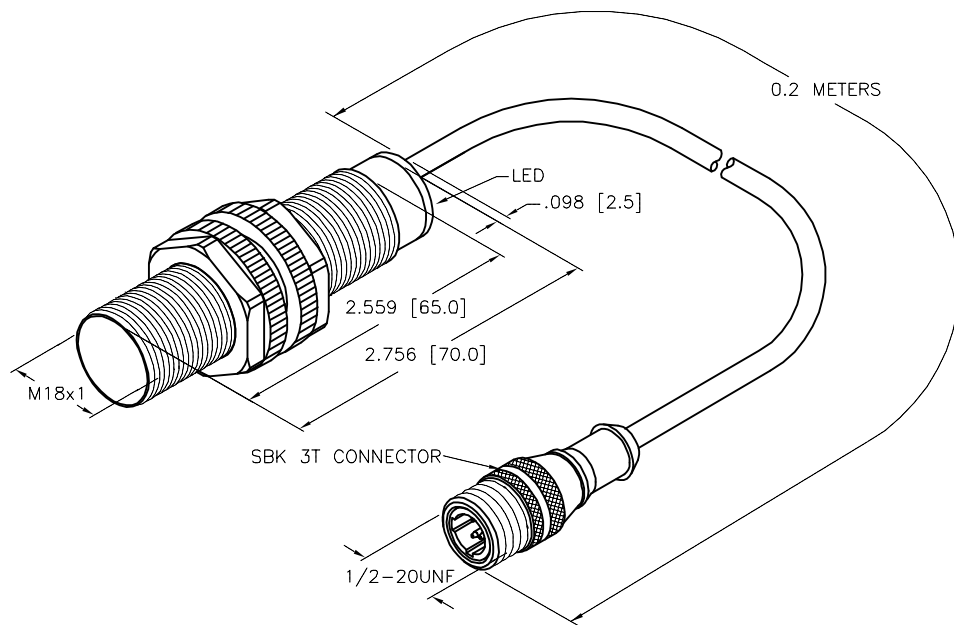
SHORT-CIRCUIT AND OVERLOAD PROTECTED

LOCKNUT LN-P18



SPECIFICATIONS


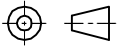
OPERATING VOLTAGE	20-250 VAC/10-300 VDC
LINE FREQUENCY	40-60 Hz
DIFFERENTIAL TRAVEL (HYSTERESIS)	3-15% (5% TYPICAL)
VOLTAGE DROP ACROSS CONDUCTING SENSOR	≤ 6.0 V at 400 mA
OUTPUT FUNCTION	NORMALLY OPEN 2-WIRE AC/DC SELF-CONTAINED
SHORT-CIRCUIT PROTECTED	YES
CONTINUOUS LOAD CURRENT	≤ 400 mA AC/≤ 300 mA DC
OFF-STATE (LEAKAGE) CURRENT	≤ 1.7 mA
MINIMUM LOAD CURRENT	≥ 5.0 mA
INRUSH CURRENT	≤ 8.0 A (≤ 10 ms/5 Hz)
TIME DELAY BEFORE AVAILABILITY	≤ 25 ms
POWER-ON EFFECT PROTECTION	INCORPORATED
PROTECTION AGAINST TRANSIENTS	5 kV, 10 ms, 10 kΩ
OPERATING TEMPERATURE	-25°C to +70°C (-13°F to +158°F)
ENCLOSURE	MEETS NEMA 1, 3, 4, 6, 13 AND IEC IP67
SHOCK	30 g, 11 ms
VIBRATION	55 Hz, 1 mm AMPLITUDE (IN ALL 3 PLANES)
LED FUNCTION	RED: OUTPUT ENERGIZED
SENSING RANGE	14.0 mm = .551" (NOMINAL)
SWITCHING FREQUENCY	20 Hz
REPEATABILITY	≤ 2% of RATED OPERATING DISTANCE
EMBEDDABLE (SHIELDED)	NO



SOURCE DRAWING - FOR REFERENCE ONLY

NOTES:

1. "/S1023" DESIGNATES WET/WASHDOWN APPLICATIONS. LENSED LEDS AND SERPENTINE FULLY POTTED INTERNAL CABLE.

RELATED DOCUMENTS		3RD ANGLE PROJECTION		THIS DRAWING IS CONFIDENTIAL AND THE PROPERTY OF TURCK INC. USE OF THIS DOCUMENT WITHOUT WRITTEN PERMISSION IS PROHIBITED.		 3000 CAMPUS DRIVE MINNEAPOLIS, MN 55441 1-800-544-7769 (763) 553-7300 (763) 553-0708 fax www.turck.us	
1.				DRFT RDS		DATE 08/06/08	
2.				APVD		SCALE 1=1.3	
3.		ALL DIMENSIONS DISPLAYED ON THIS DRAWING ARE FOR REFERENCE ONLY		UNIT OF MEASUREMENT			
4.				INCH [MILLIMETER]			
MATERIAL		PA 12-GF30 PLASTIC		DESCRIPTION		NI14-S18-ADZ30X2-0.2-SBK3T/S1023	
FINISH		CONTACT TURCK FOR MORE INFORMATION		IDENTIFICATION NO.		REV	
C		UPDATE DESCRIPTION		RDS		42054900	
REV		DESCRIPTION		BY		C	
		08/28/20		76127		FILE: 42054900	
		DATE		ECO NO.		SHEET 1 OF 1	
						DO NOT SCALE THIS DRAWING	